



DSP3200
User Guide

MERIDIAN

Important safety instructions

- Read these instructions.
- Keep these instructions.
- Heed all warnings.
- Follow all instructions.
- Do not use this apparatus near water.
- Clean only with a dry cloth.
- Do not block any ventilation openings. Install in accordance with the manufacturer's instructions.
- Do not install near any heat sources such as radiators, heat registers, stoves, or other apparatus (including amplifiers) that produce heat.
- Do not defeat the safety purpose of the polarized or grounding-type plug. A polarized plug has two blades with one wider than the other. A grounding type plug has two blades and a third grounding prong. The wide blade or the third prong are provided for your safety. If the provided plug does not fit into your outlet, consult an electrician for replacement of the obsolete outlet.
- Protect the power cord from being walked on or pinched particularly at plugs, convenience receptacles, and the point where they exit from the apparatus.
- Only use attachments/accessories specified by the manufacturer.
- Unplug this apparatus during lightning storms or when unused for long periods of time.
- Refer all servicing to qualified service personnel. Servicing is required when the apparatus has been damaged in any way, such as power-supply cord or plug is damaged, liquid has been spilled or objects have fallen into the apparatus, the apparatus has been exposed to rain or moisture, does not operate normally, or has been dropped.

WARNING: TO REDUCE THE RISK OF FIRE OR ELECTRIC SHOCK, DO NOT EXPOSE THIS APPARATUS TO RAIN OR MOISTURE.

This apparatus has been designed with Class 1 construction and must be connected to a mains socket outlet with a protective earthing connection (the third grounding pin).

This apparatus does not include a power switch. The apparatus may be isolated from mains power either by unplugging the power connector from the rear of the unit, or by unplugging the connector at the opposing end of the power cord or cable from its supply outlet. As a result, either or both of these connectors should remain accessible

CAUTION: This DSP3200 for use only with the Meridian DSP3200 Stand, part number SP5543. Use with other stands is capable of resulting in instability causing possible injury.

Safety warnings

- Do not expose the unit to dripping or splashing.
- Do not place any object filled with liquid, such as a vase, on the unit.
- Do not place naked flame sources, such as lighted candles, on the unit.
- To avoid overheating leave at least 10cm around the equipment to ensure sufficient ventilation.
- Do not position the unit in direct sunlight, near heat sources such as a radiator, or directly on top of heat producing equipment, such as a power amplifier.
- To avoid interference do not position the unit near strong electrical or magnetic radiation, such as near a power amplifier.

Radio interference

FCC Warning: This equipment generates and can radiate radio frequency energy and if not installed and used correctly in accordance with our instructions may cause interference to radio communications or radio and television reception. It has been type-tested and complies with the limits set out in Subpart J, Part 15 of FCC rules for a Class B computing device. These limits are intended to provide reasonable protection against such interference in home installations.

EEC: This product has been designed and type-tested to comply with the limits set out in EN55013 and EN55020.



Copyright

Meridian Audio Ltd
Latham Road
Huntingdon
Cambridgeshire
PE29 6YE
England

Copyright © 2010 Meridian Audio Ltd.

Visit us on the Web:
<http://www.meridian-audio.com>

Part no: DSP3200 (P88394)

This guide was produced by: Human-Computer Interface Ltd,
<http://www.interface.co.uk/>

Unpacking

The DSP3200 is supplied with the following accessories:

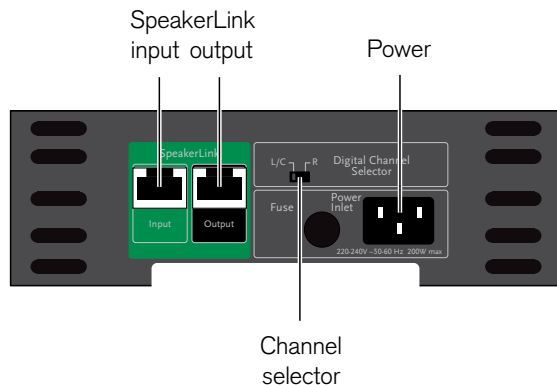
- Power cord.
- This manual.

If either of these items are missing please contact your dealer.

NOTE: You should retain the packaging in case you need to transport the units.

Connections

The following diagram gives details of the connections on the base of the speaker:



Digital connections

Use this connection	To connect to this
SpeakerLink input	The SpeakerLink output of a Meridian Sooloos component, Digital Surround Controller, or Audio Core 200.
SpeakerLink output	The Speakerlink input of a second DSP3200 digital speaker, when daisy-chaining the speakers.

Miscellaneous

Switch	Description
Digital Channel Selector	Set to L/C to use the speaker as a left or centre channel speaker. Set to R to use the speaker as a right channel speaker.

Standby indicator

The status of the DSP3200 is shown by a green standby indicator on the back panel.

Status	Description
Dimly illuminated	Speaker in standby
Brightly illuminated	Speaker operating

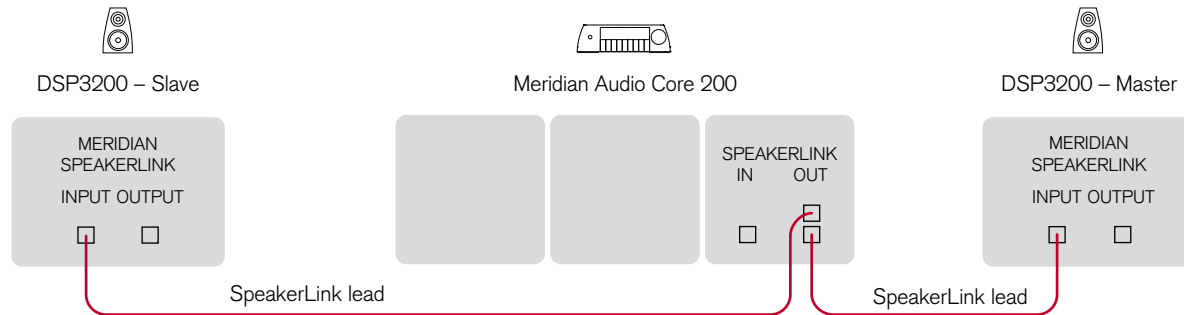
The speakers are switched on or into standby as appropriate via the SpeakerLink connections by the Meridian system they are connected to.

Applications

To connect a pair of DSP3200s to a Meridian Audio Core 200

The DSP3200s are ideal for a compact Audio Core 200 based system.

- Connect the lower SpeakerLink output on the AC200 to the master DSP3200, using a Meridian SpeakerLink lead.
- Connect the upper SpeakerLink output on the AC200 to the slave DSP3200, using a Meridian SpeakerLink lead.
- Make sure the Channel selector is set to the L/C position on the back of the left speaker and to the R position on the back of the right speaker.



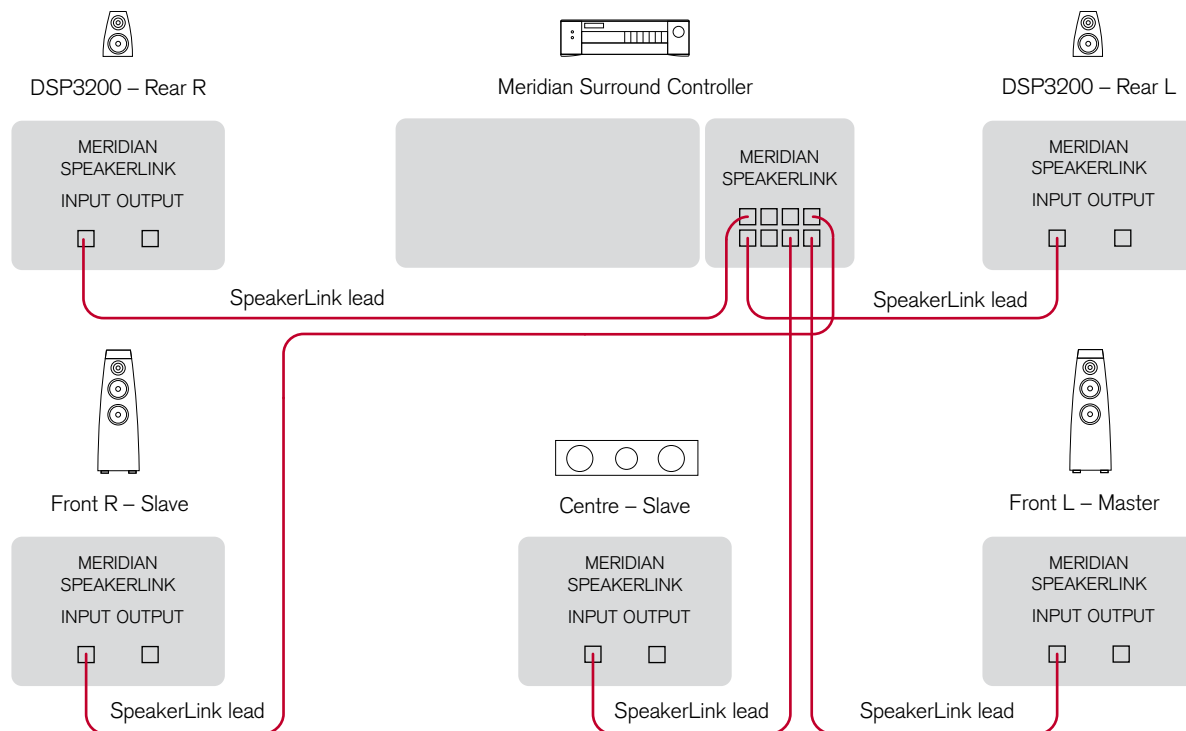
To use a pair of DSP3200s in a Meridian Digital Theatre

DSP3200s are ideal as the rear loudspeakers in a Meridian Digital Theatre, in conjunction with a Meridian Digital Surround Controller such as the G68. The following diagram shows how to connect the speakers using “home run” wiring.

- Connect the L+R SpeakerLink output on the lower row of the G68 to the master digital speaker (here the front left speaker), using a Meridian SpeakerLink lead.

- Connect the appropriate SpeakerLink outputs on the G68 to each of the remaining speakers, using Meridian SpeakerLink leads.
- Make sure the Channel selector on each DSP3200 is set to the L/C position on the back of the left speaker and to the R position on the back of the right speaker.

Alternatively you can connect the speakers using “daisy chain” wiring: connect the front and rear L speakers to the G68, and then link each pair of speakers together by connecting the output from the L speaker to the input of the R speaker.



To create a stand-alone Sooloos system

The DSP3200s can be connected directly to a Meridian Media Core 200 to make an ideal compact Sooloos system.

You can browse and control music on the system using the Sooloos application on an iPad, iPhone, or iPod Touch, or the Control:PC/Control:Mac application on a computer.

- Connect the Network socket on the Media Core 200 to one of the LAN network connections on your Router, using a CAT5 cable.

- Make sure the WAN/Internet port on the Router is connected to the rest of your network, or to your Cable/DSL Modem.
- Connect the SpeakerLink output on the Media Core 200 to the master DSP3200 SpeakerLink input, using a Meridian SpeakerLink lead.
- Connect the SpeakerLink output from the master DSP3200 to the SpeakerLink input of the slave DSP3200, using a Meridian SpeakerLink lead.

For information on configuring your Media Core 200 please refer to the *Media Core 200 User Guide*.

